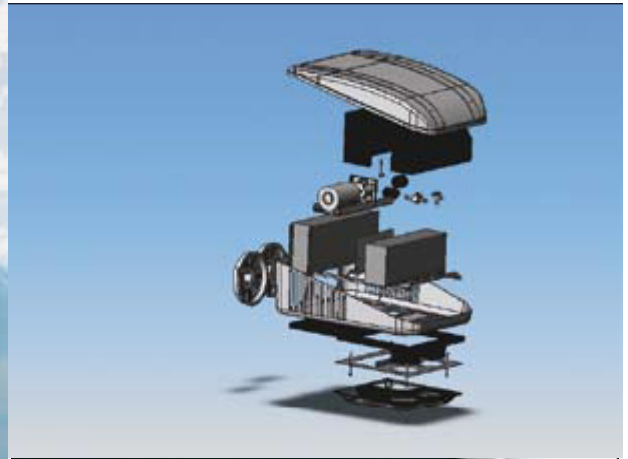


DC9000 Rooftop Battery A/C

- Lightweight - Under 100 lbs (without batteries)
 - Zero Fuel Consumption / Zero Emissions
- 12 to 16 Hours Runtime on a Single Charge
 - Easy Installation (4 man-hours)

9000 BTU's of Cooling Power!!



For More Information Contact:



(877) E-Z-MISERS

(877) 396 - 4737

www.dieselmisers.com

DieselMisers, Inc. Rock Hill, SC